

RotoTop™

FLAGPOLE HARDWARE WITH A TWIST

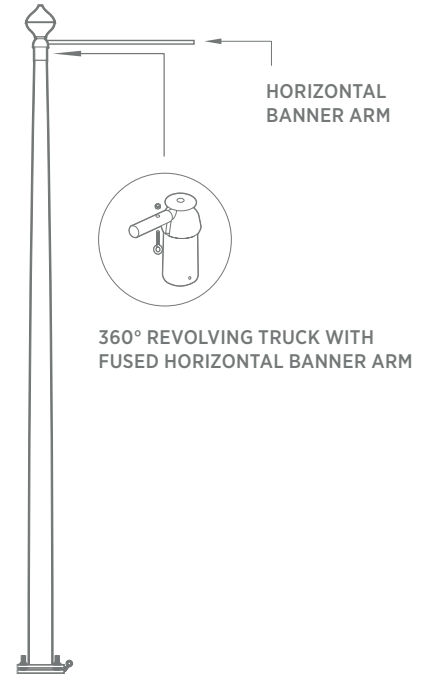
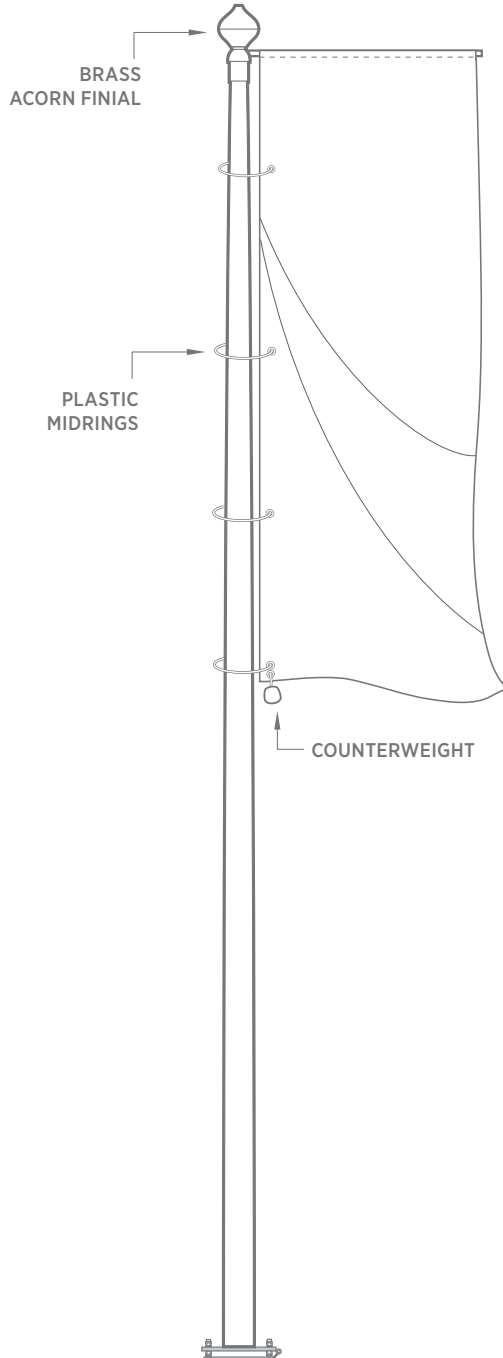
There's nothing worse than seeing your beautiful and brand-perfect flag tangled wrapped around your flagpole, essentially invisible to your potential customers. Our RotoTop flagpoles are engineered so that flags safely rotate with the breeze. This ensures that your message is always visible, whether it is calm or windy.

ROTOTOP™ FLAGPOLES ARE PERFECT FOR:

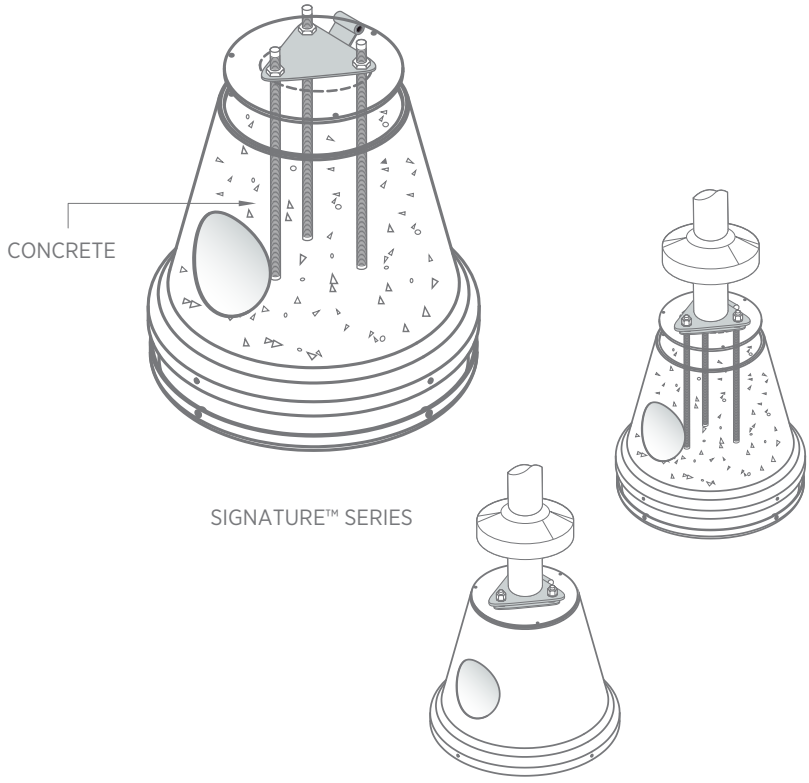
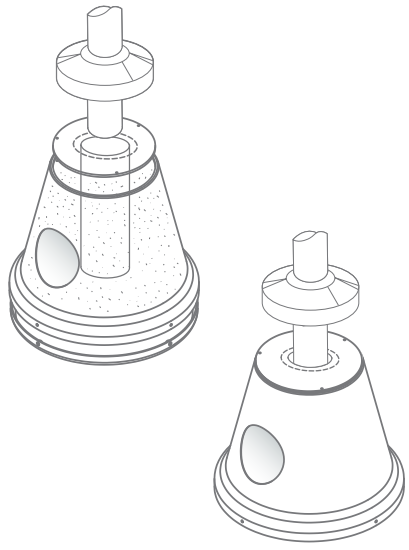
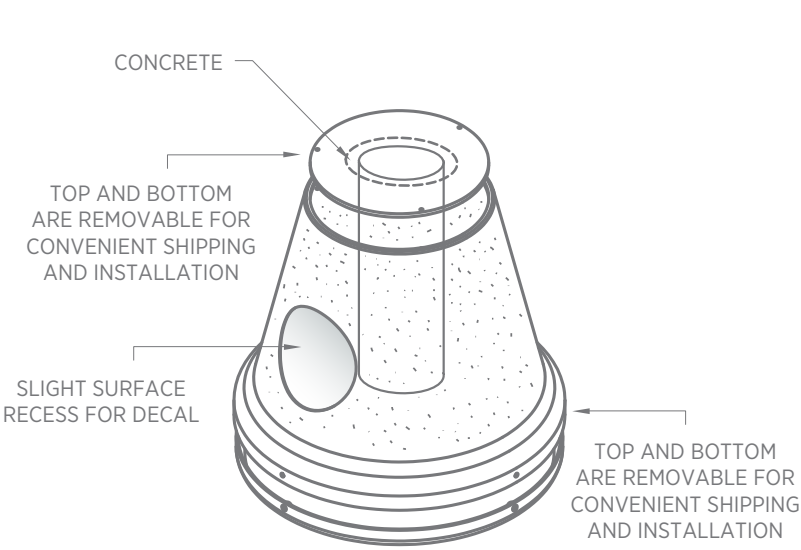
- + Entryways
- + Parking Lots
- + Special Event Venues
- + Municipal Buildings
- + Plazas, concourses, and street side

Set-up is easy, simply fill the portable base with rock or concrete, tilt the flagpole at it's hinge, and hang a your RotoTop flag—simple.





RotoTop™ Banner System Assembly	Model#	
	20'	25'
No Halyard Required	20'	25'
Horizontal Banner Arm		
Diameter	1"	1"
Maximum Length	60"	60"
Vertical Banner Arm - Length	36"	36"
Weights		
Flagpole Weight lb.	38	44
Hardware Kit Weight lb.	20	20
Shipping Weight lb.	58	64
Flagpole Translated Wind Strength-Unflagged		
m/s	80	80
km/h	288	288
mph	179	179
Fabric Allowances - Per Wind Strength		
Standard Fabric Square Footage	10'	18'
Maximum Fabric Square Footage	18'	28'



FiberCrete™ Ballast Base	
Solid Color - Model #	BBF2040
Stone Finish - Model #	BBP2040
Material:	
Linear medium density polyethylene (LMDPE).	
UV light stabilizers for long-term outdoor use.	
Stainless steel nuts and washers.	
Construction:	
¼" wall thickness.	
Stable operating temperature to 140° F / 60° C.	
Overall Height:	
Top Diameter:	21.86"
Bottom Diameter:	38"
Decal Recess:	12"
Volume Capacity:	
Cubic Meters	0.5 m ³
Gallons	7½ Gallons
Litres	325 l
Weights:	
Shell Weight - Empty	40 lbs (18.14 kg)
Filled Weight - Concrete	1746 lbs (792 kg)
Decal Recommendations:	
0.010" clear PSV adhesive with UV inhibitor.	
Synthetic rubber based for breathing during curing.	



ROTOTOP™ DISPLAY SYSTEMS | FAQs

How is the RotoTop system assembled?

Set-up is easy, simply fill the portable base with rock or concrete, tilt the flagpole at it's hinge, and hang a your RotoTop flag—simple.

How easily is the base transported?

Once the portable base has been filled with rock or concrete, moving the system into storage or a different location is most easily accomplished using a forklift.

What is the size of the flags?

RotoTop flags can be custom configured to nearly any size up to 14' H x 4' W.

Exact specifications are available for each system produced.

Can any substrate be used for the media?

Britten uses a high-quality flag material for outdoor applications. Contact Britten to order media at 855.763.8203.

ROTOTOP™ FLAGS | DESIGN TEMPLATES

Each RotoTop display system will be provided with its appropriate media design template.

WARRANTY

Britten Inc. offers a conditional one year warranty against product design and manufacturing assuming proper installation and proper operational conditions. During the warranty period, Britten Inc. will repair or replace the product. The warranty only applies to the original purchaser and is in lieu of all other warranties expressed or implied for a period of one year from the date of purchase. Britten Inc. will not warranty the following: SHIPPING; Customer is to bear all shipping expense to return the unit to Britten Inc. LABOR; associated with the removal or installation of the unit. DAMAGE; caused by misuse, neglect abuse, accidents, alterations, corrosive environments, and any other abnormal service conditions.

Claims against the warranty must include:

- Pictures of the installation
- Written description of the problem
- Return Material Authorization issued by Britten Inc.



Britten produces everything in-house, making planning and coordinating your project easier than ever. We print directly to polyester materials with eco-friendly inks for Infinity frames (and many other applications). Contact Britten to order media at 855.763.8203.